

# Connect VeriFly to Reabe Smart Gate.

Rev A

Gate Software A0 05 or Higher

VeriFly Software ---- or Higher (Contact VeriFly for details) Must have modified Mini Box

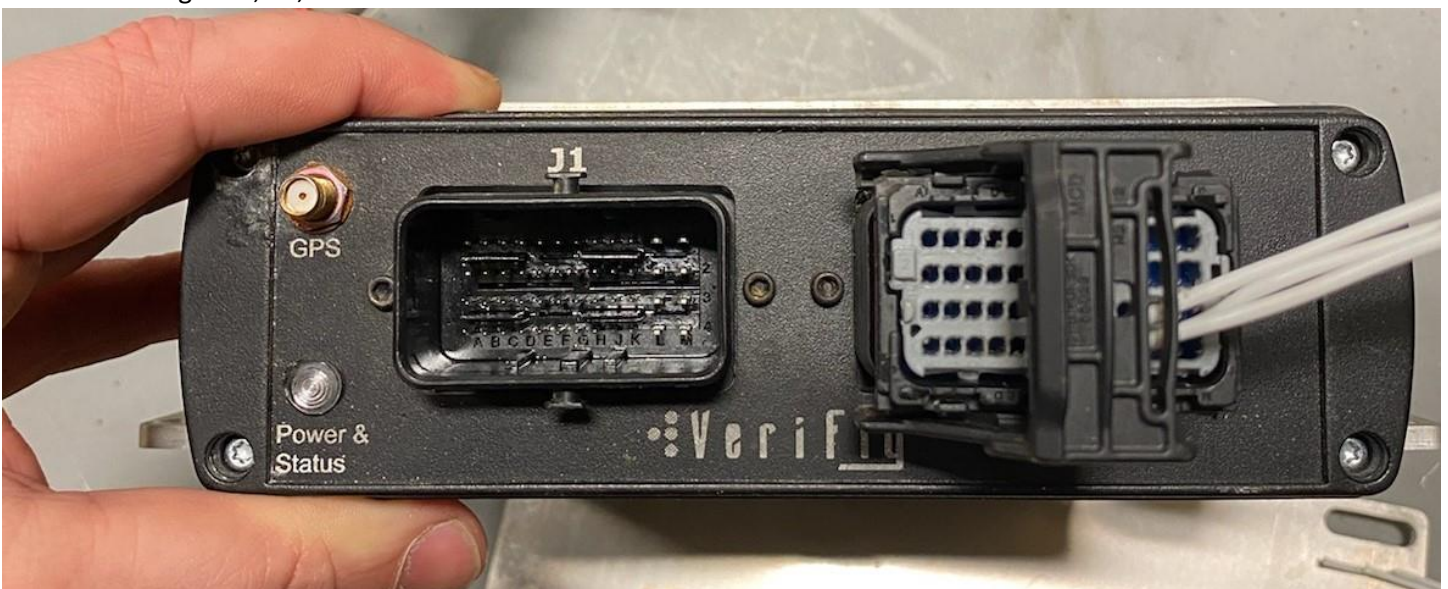
GPS Paint wires can be connected to Pins 5 and 6 of Open Close Switch If auto On/Off is not being used.

Wire GPS to Controller:

Concection	Wire Reabe 232 GPS		Conection	Wire Lable	Plug Pin Num
Gnd Reabe	Shield	>->	GND	BLK	32
232 In	Wht/Blue	>->	232 TX	TX	33
232 Out	White	>->	232 RX	RX	31



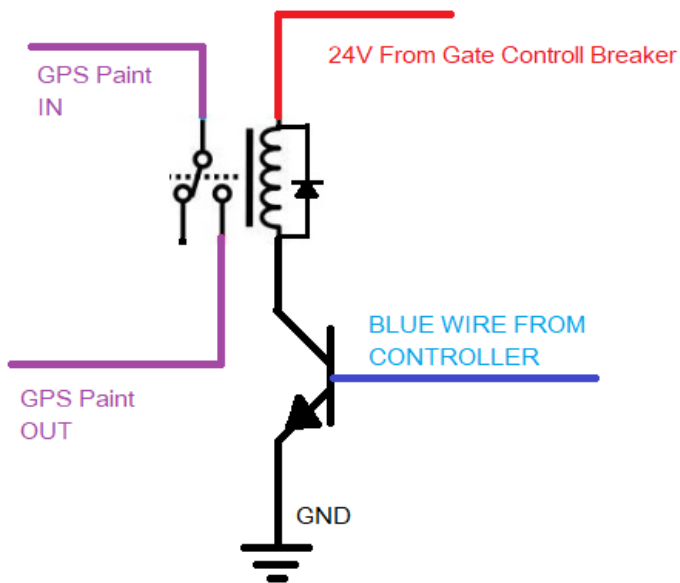
From Left to Right 33, 32, 31



For Auto On-Off (NOT YET TESTED with VeriFLY)

GPS Paint wires must run through Relay and not Open Close Switch.

To install and have GPS Paint signal work in auto mode, See image below.



Parts are:

Relay

<https://www.digikey.com/product-detail/en/panasonic-electric-works/CB1F-M-24V/255-2731-ND/647092>

Socket

<https://www.digikey.com/product-detail/en/te-connectivity-potter-brumfield-relays/VCF4-1003/PB715-ND/813782>

Terminals

<https://www.digikey.com/product-detail/en/te-connectivity-amp-connectors/1-1393310-8/A117815CT-ND/4729959>

NPN Transistor

<https://www.digikey.com/product-detail/en/diodes-incorporated/ZTX690B/ZTX690B-ND/92520>

FlyBack Diode

<https://www.digikey.com/product-detail/en/smc-diode-solutions/SB240TA/1655-1519-1-ND/6022964>