

Connect AgPilot X to Reabe Smart Gate. RevC

Auto On/Off Feature added

Gate Software A0 105

AgPilot X Software V1.2.24 build 261

Firmware L1.4.72a & H1.4.72b

GPS Paint wires can be connected to Pins 5 and 4 of Open Close Switch, for operation without auto on/off.

Constant Rate Added

A0 102

V1.2.20 build 227

L1.4.67j & h1.4.67k

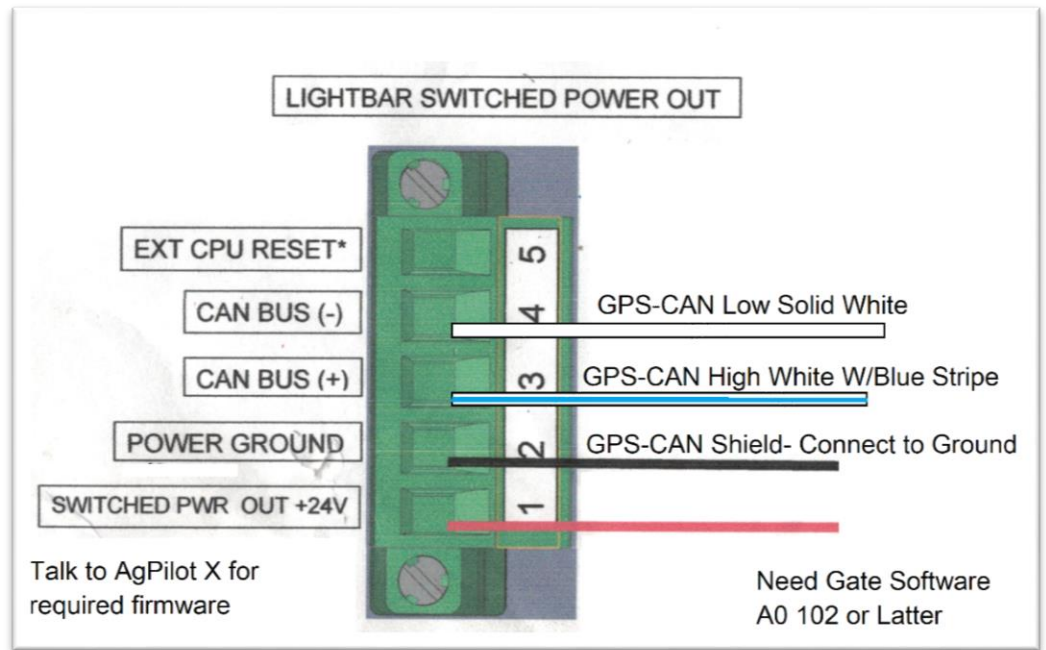
Wire GPS to Controller:

Connect GPS-CAN wire form Reabe Smart Gate controller to AgPilot X Hub, Use the 5 position connector marked "POWER OUT [LIGHTBAR]"

See Figure to the right for specific wire connections

For paint to stop when material runs out & Auto On-Off

GPS Paint wires must run through Relay and not Open Close Switch.



To install and have GPS Paint signal work in auto mode, See image below.

Parts are:

Relay

<https://www.digikey.com/product-detail/en/panasonic-electric-works/CB1F-M-24V/255-2731-ND/647092>

Socket

<https://www.digikey.com/product-detail/en/te-connectivity-potter-brumfield-relays/VCF4-1003/PB715-ND/813782>

Terminals

<https://www.digikey.com/product-detail/en/te-connectivity-amp-connectors/1-1393310-8/A117815CT-ND/4729959>

NPN Transistor

<https://www.digikey.com/product-detail/en/diodes-incorporated/ZTX690B/ZTX690B-ND/92520>

FlyBack Diode

<https://www.digikey.com/product-detail/en/smc-diode-solutions/SB240TA/1655-1519-1-ND/6022964>

