

# Connect Ag Nav Plat to Reabe Smart Gate.

Rev C

Gate Software A0 106 or Higher

Ag Nav Software ---- or Higher (Contact Ag Nav for details)

GPS Paint wires can be connected to Pins 5 and 4 of Open Close Switch If auto On/Off is not being used.

Wire GPS to Controller:

Concection	Wire Reabe 232 GPS		Conecion	Wire AgNav	Cannon Pin
Gnd Reabe	Shield	>->	GND	BLK	F
232 In	Wht/Blue	>->	232 RX	WHT	D
232 Out	White	>->	232 TX	RED	G

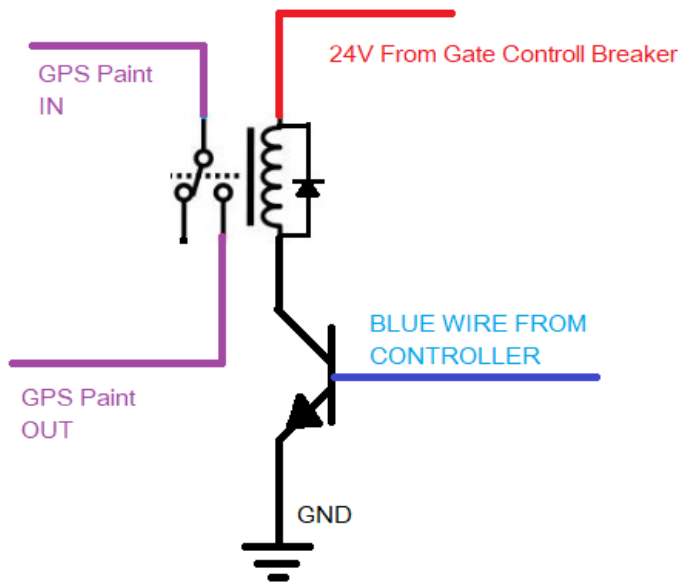
Cable End if Desired.

<https://octopart.com/search?q=85106AC107P50&currency=USD&specs=0>

For Auto On-Off

GPS Paint wires must run through Relay and not Open Close Switch.

To install and have GPS Paint signal work in auto mode, See image below.



Parts are:

Relay

<https://www.digikey.com/product-detail/en/panasonic-electric-works/CB1F-M-24V/255-2731-ND/647092>

Socket

<https://www.digikey.com/product-detail/en/te-connectivity-potter-brumfield-relays/VCF4-1003/PB715-ND/813782>

Terminals

<https://www.digikey.com/product-detail/en/te-connectivity-amp-connectors/1-1393310-8/A117815CT-ND/4729959>

NPN Transistor

<https://www.digikey.com/product-detail/en/diodes-incorporated/ZTX690B/ZTX690B-ND/92520>

FlyBack Diode

<https://www.digikey.com/product-detail/en/smc-diode-solutions/SB240TA/1655-1519-1-ND/6022964>