

# Connect SatLoc G4 to Reabe Smart Gate.

Rev C

Gate Software A0 08 to A0 107 (Select GPS "SATLOC")

Satloc Software V 1243 or Higher

Gate Software A0 108 and higher (GPS "SATLOC +" RSG Identified as REG on Satloc, Requires free unlock from Satloc)

(GPS "SATLOC L" RSG wrongly identified as Transland gate on Satloc)

GPS Paint wires can be connected to Pins 5 and 4 of Open Close Switch.

Wire GPS to Controller:

Concection	Wire Reabe 232 GPS		Conection	Wire Satloc	Cannon Pin
Gnd Reabe	Shield	>->	GND	BLK	F
232 In	Wht/Blue	>->	232 TX	RED	B
232 Out	White	>->	232 RX	WHT	D

Cable End if Desired.

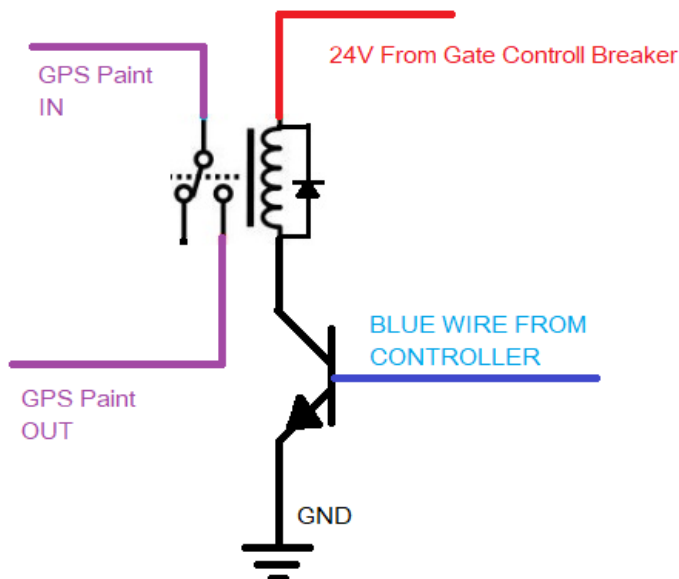
<https://www.digikey.com/product-detail/en/amphenol-industrial-operations/PT01E-10-6P/PT01E-10-6P-ND/2510773>

For Auto On-Off

Need (SO) Spray Off unlock for SatLock.

GPS Paint wires must run through Relay and not Open Close Switch.

To install and have GPS Paint signal work in auto mode, See image below.



Parts are:

Relay

<https://www.digikey.com/product-detail/en/panasonic-electric-works/CB1F-M-24V/255-2731-ND/647092>

Socket

<https://www.digikey.com/product-detail/en/te-connectivity-potter-brumfield-relays/VCF4-1003/PB715-ND/813782>

Terminals

<https://www.digikey.com/product-detail/en/te-connectivity-amp-connectors/1-1393310-8/A117815CT-ND/4729959>

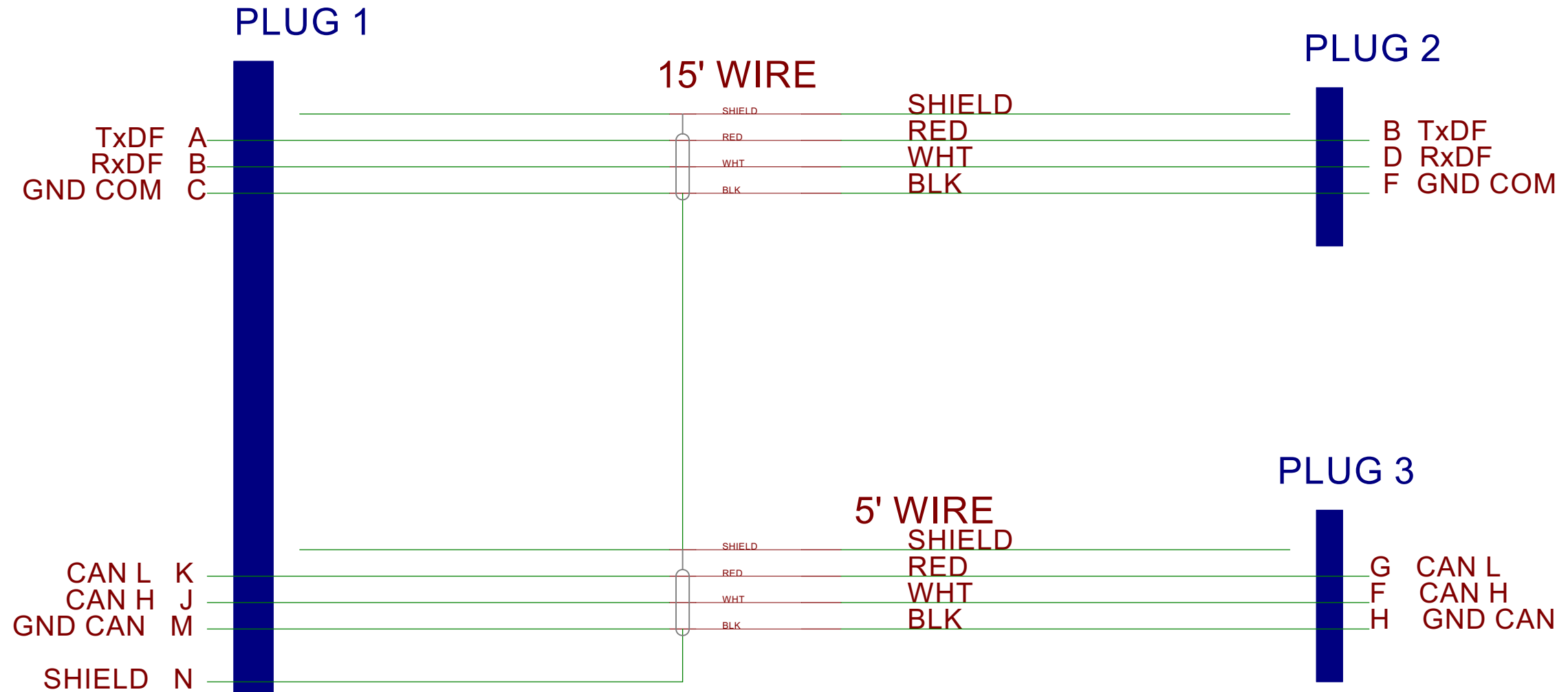
NPN Transistor

<https://www.digikey.com/product-detail/en/diodes-incorporated/ZTX690B/ZTX690B-ND/92520>

FlyBack Diode

<https://www.digikey.com/product-detail/en/smc-diode-solutions/SB240TA/1655-1519-1-ND/6022964>

# IF2 with Reabe Smart Gate Cable



**WIRE**  
M27500-22RC3S06 OR SIMILAR

**PLUG 1** G4 FLOW PLUG  
E12-14P-SR LIKE  
MSW06E12-14P-SR

**PLUG 2** DRY FLOW PLUG  
E10-6S-SR LIKE  
MSW06E10-6S-SR

**PLUG 3** IF2 PLUG  
E12-8S-SR LIKE  
MSW00E12-8S-SR

SatLoc PN 051-0407

Title: Satloc	
Version:	
1/19/2022 3:19:08 PM	
Drawn By:	1/1