

Connect TracMap to Reabe Smart Gate.

Rev A

Gate Software A0 119 or Higher

TracMap Version 1.28 or Higher

GPS Paint wires can be connected to Pins 5 and 4 of Open Close Switch If auto On/Off is not being used.

Wire GPS to Controller:

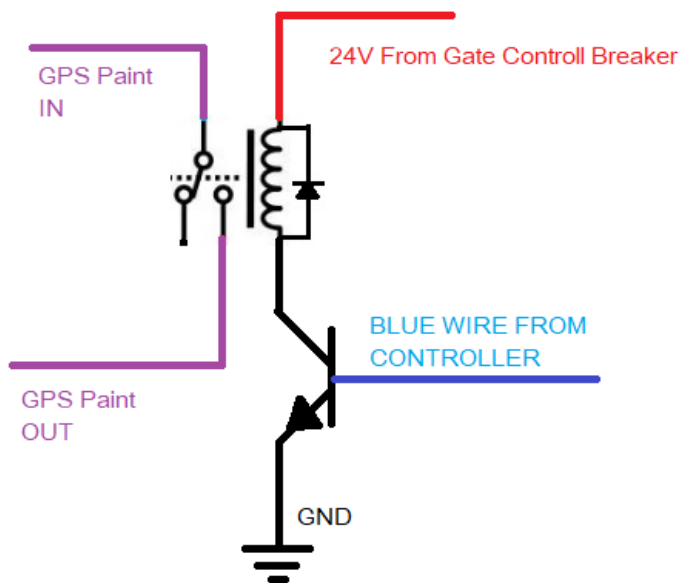
| Concection | Wire Reabe 232 GPS | | Conection |
|------------|--------------------|-----|-----------|
| Gnd Reabe | Shield | >-> | AUX 1 GND |
| 232 In | Wht/Blue | >-> | AUX 1 TX |
| 232 Out | White | >-> | AUX 1 RX |

For Auto On-Off

GPS Paint wires must run through Relay and not Open Close Switch.

To install and have GPS Paint signal work in auto mode, See image below.

One side of the purple wires is connected to Digital Input 3, the other side is connected to power.



Parts are:

Relay

<https://www.digikey.com/product-detail/en/panasonic-electric-works/CB1F-M-24V/255-2731-ND/647092>

Socket

<https://www.digikey.com/product-detail/en/te-connectivity-potter-brumfield-relays/VCF4-1003/PB715-ND/813782>

Terminals

<https://www.digikey.com/product-detail/en/te-connectivity-amp-connectors/1-1393310-8/A117815CT-ND/4729959>

NPN Transistor

<https://www.digikey.com/product-detail/en/diodes-incorporated/ZTX690B/ZTX690B-ND/92520>

FlyBack Diode

<https://www.digikey.com/product-detail/en/smc-diode-solutions/SB240TA/1655-1519-1-ND/6022964>